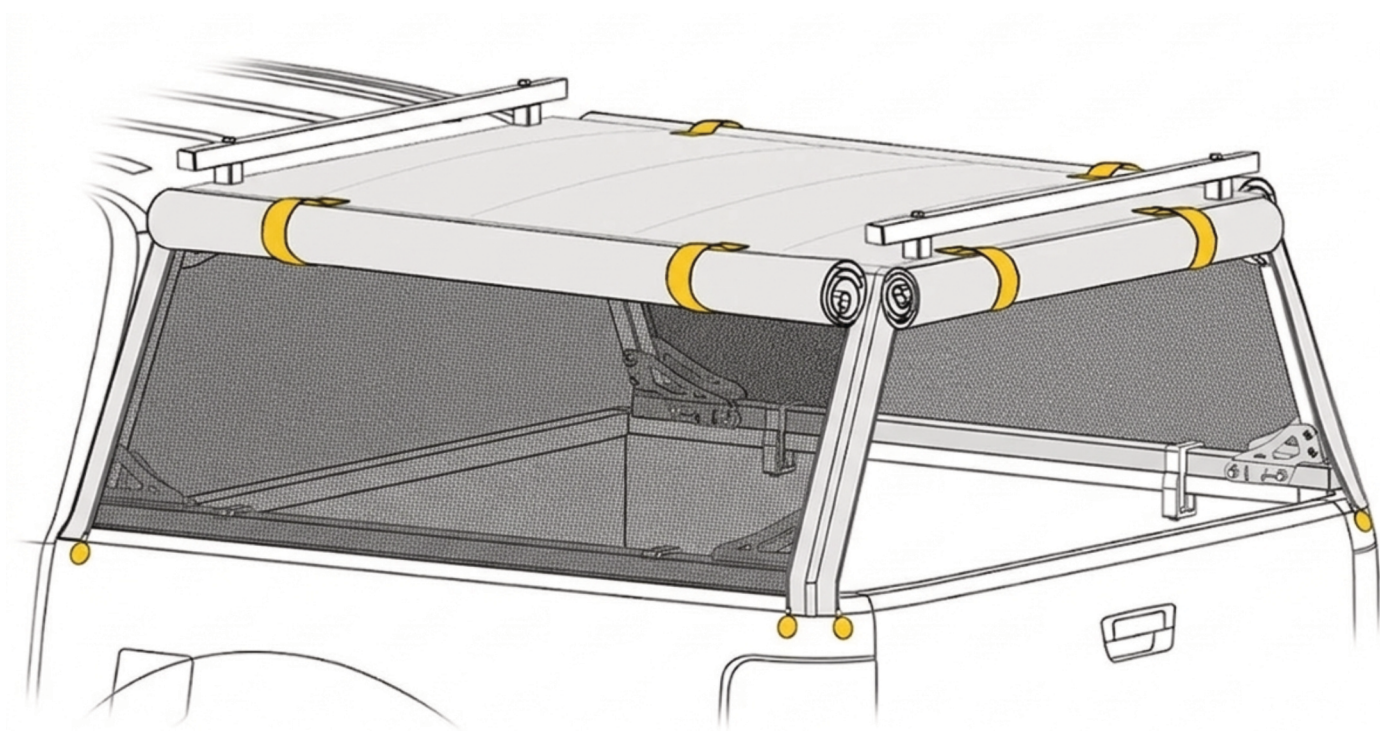




WILDTOP



**MESH WINDOW UPGRADE
INSTALLATION GUIDE**

SAFETY & PRECAUTION

- ☞ Ensure vehicle is parked on level ground before installation.
- ☞ Do not install onto dirty or wet surfaces.
- ☞ Ensure all surfaces are fully dry before applying adhesive.

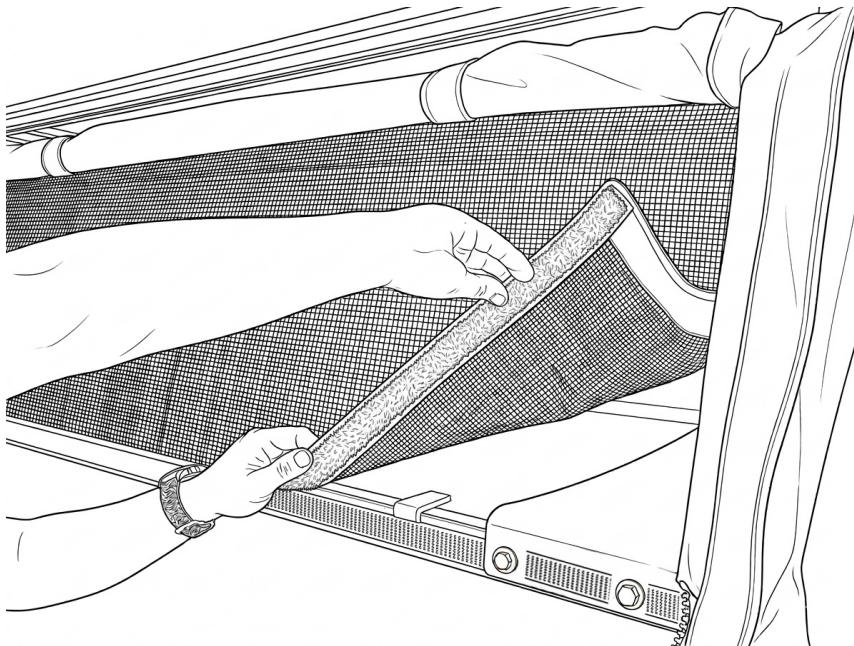
TOOLS REQUIRED



Clean Cloth

INSTALLATION STEPS

1. Identify Mounting Location - The mesh windows are designed to be installed on the outer sections of the WildTop frame. The top of the mesh attaches to the top of the upper longitudinal rail while the bottom attaches to the outer side of the lower longitudinal rail
2. Prepare Surface - Clean the aluminum frame thoroughly using the provided alcohol wipes. Ensure the surface is free from dust, dirt, and grease before proceeding.
3. Apply Velcro - Apply the provided Velcro strips to the frame in the mounting locations and also where the magnet straps slots through. Press firmly along the entire length to ensure proper adhesion.
4. Attach Mesh Window - Attach the mesh window to the Velcro, ensuring it is evenly secured. Insert the magnet straps through the top holes on each of the mesh windows. This will allow the magnet straps to remain fully functional.
5. Final Check - Ensure the mesh is securely attached along all edges and that the magnet straps operate freely. Check adhesion after installation and allow up to 24 hours for adhesive to fully cure before heavy use.



Scan QR Code To View Instruction Video

