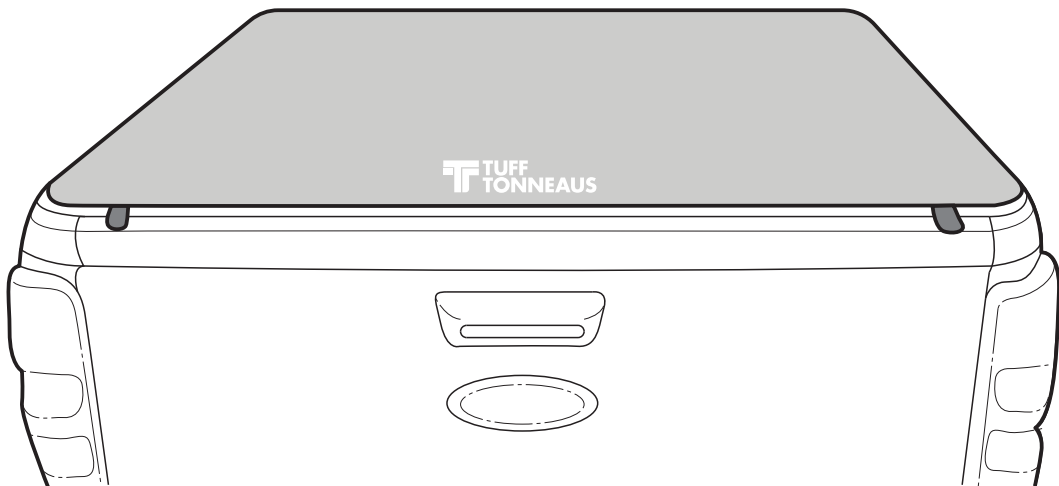




# CLIPON 2.0<sup>®</sup>

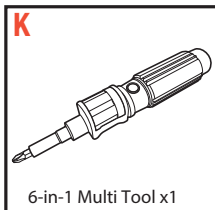
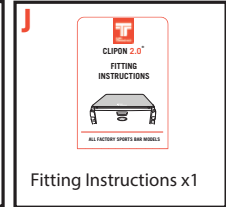
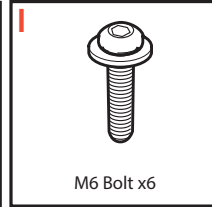
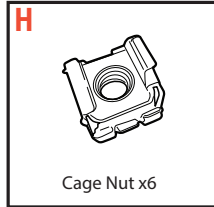
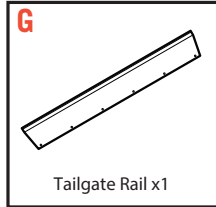
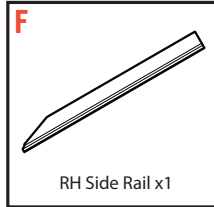
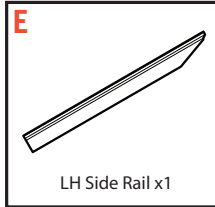
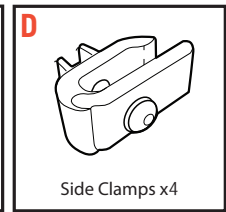
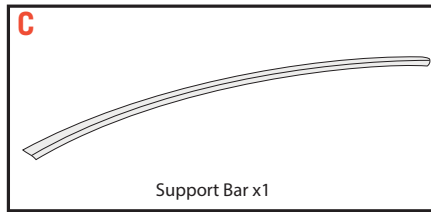
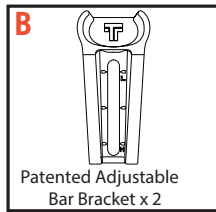
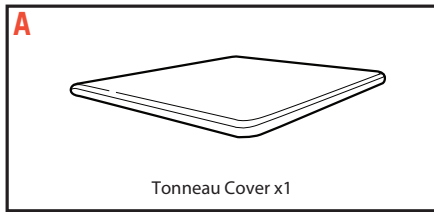
## INSTALL INSTRUCTIONS



---

**NO SPORTS BAR MODELS**

## - PARTS SUPPLIED



## - SAFETY NOTES

- Ensure that appropriate Personal Protective Equipment is used.
- During the accessory fitment, ensure all Australian automotive and dealership safety practices are followed.
- Always refer to the vehicles workshop manual when removing components.

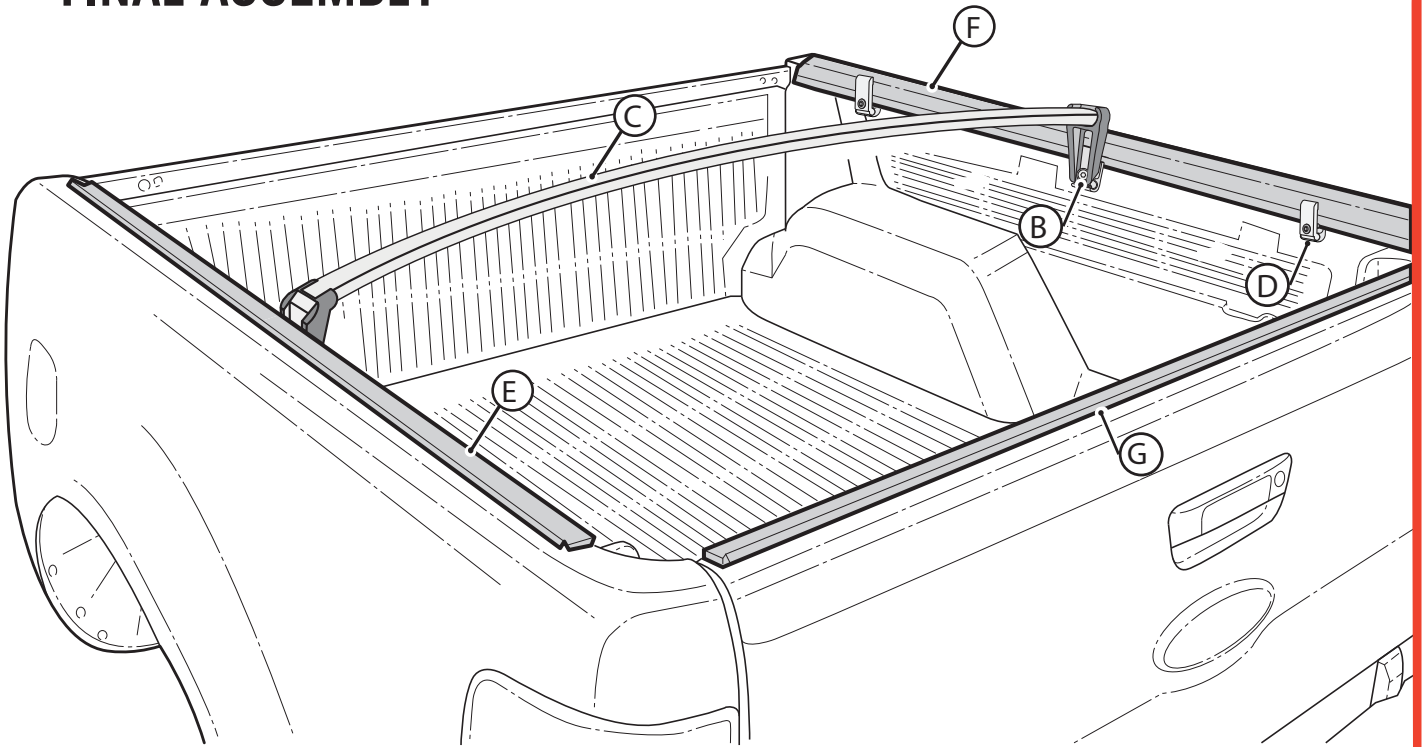


## - EXAMPLE FITTING VIDEO

- Please also check out our video of fitting a 2.0 tonneau cover.
- Visit the following link: <http://bit.ly/nodrill-tonneau>
- Or simply scan the QR code.
- NB: Some models may vary slightly in fitment, so always consult your fitting instructions for more information.



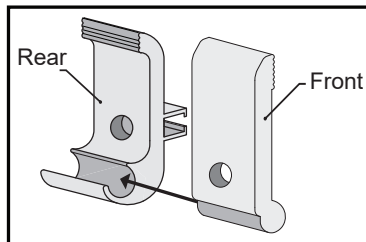
## - FINAL ASSEMBLY -



1

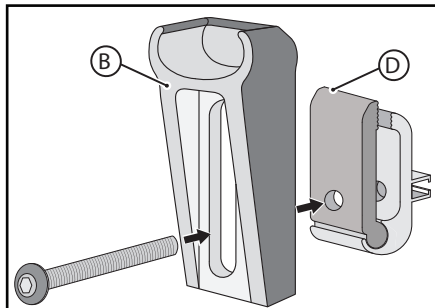
### ASSEMBLING THE BAR BRACKET

#### STEP 1



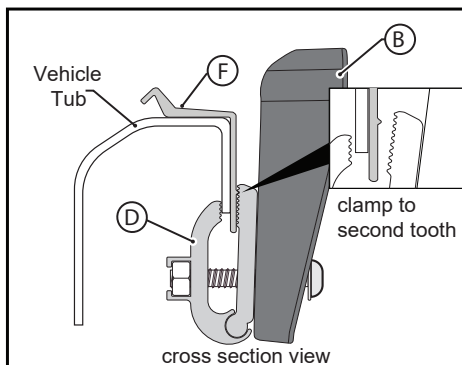
- Slide the Front and Rear Clamps together.

#### STEP 2



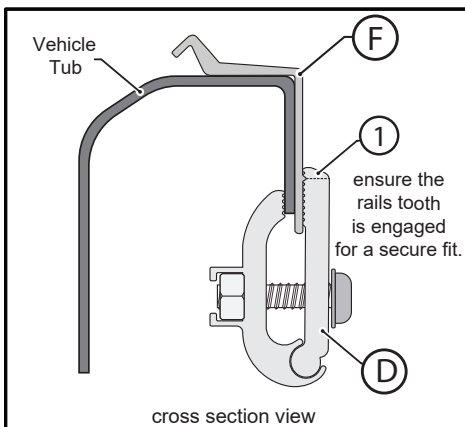
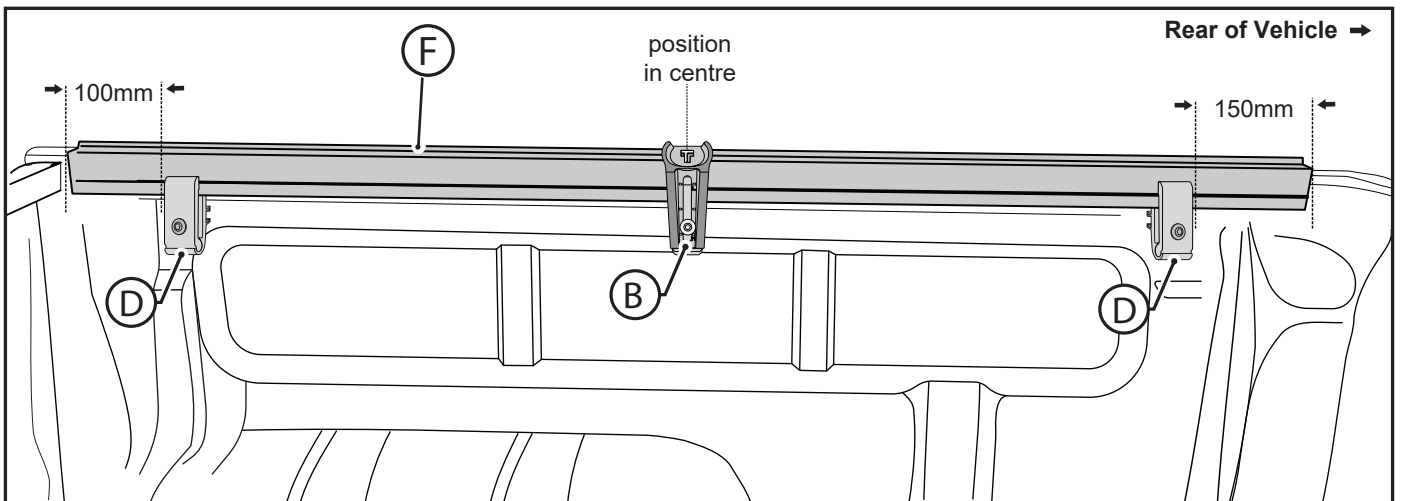
- Attach the Clamp (D) to the Patented Adjustable Bar Bracket (B) as shown.

#### STEP 3



- Engage the now assembled Bar Bracket & Clamp to the Side Rails as shown in the next steps.

## 2 ATTACH THE SIDE RAILS.



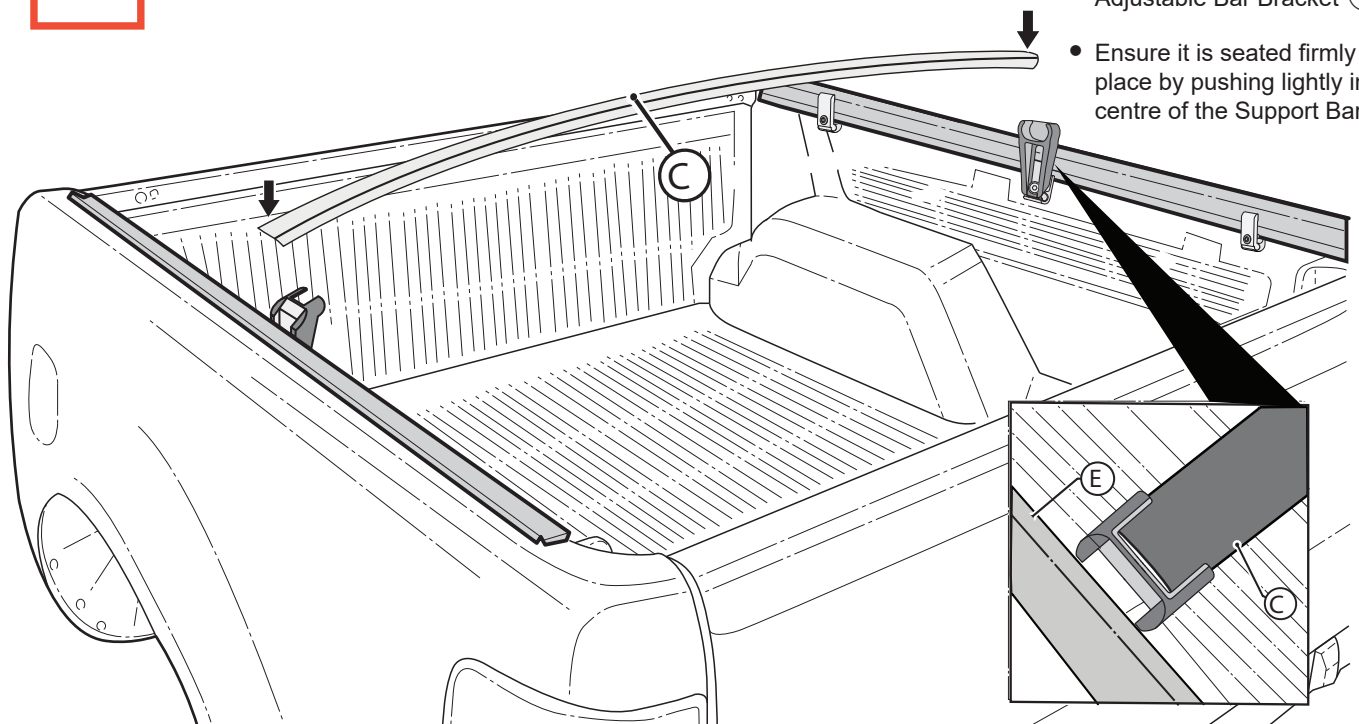
**Important**



The side clamp **D** needs to engage with the side aluminium rail tooth **1** for a secure fit.

- Repeat for the LHS.

## 3 FIT THE SUPPORT BAR.

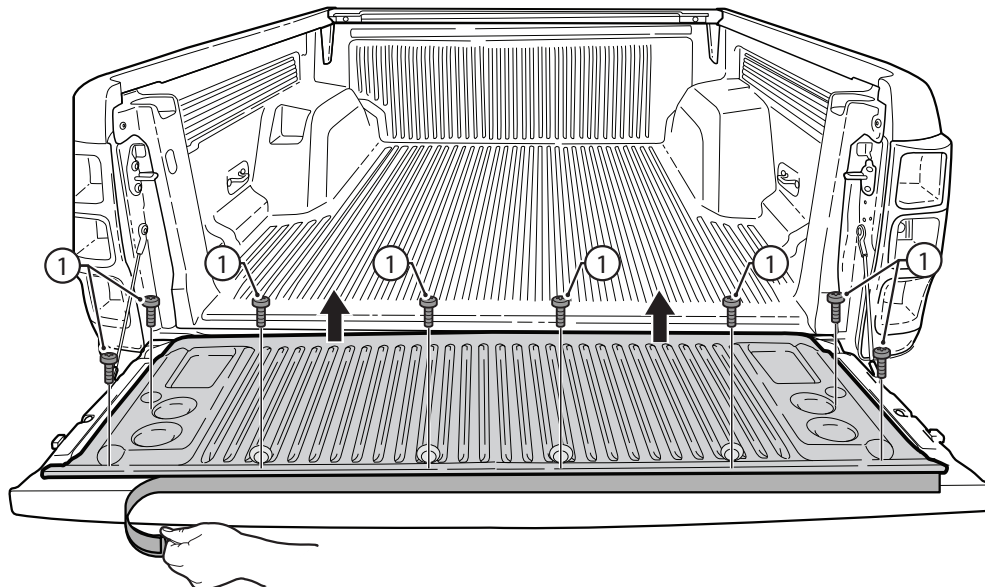


- Rotate the Support Bar **C** 90° and push into the top of the Adjustable Bar Bracket **B**.
- Ensure it is seated firmly into place by pushing lightly in the centre of the Support Bar **C**.

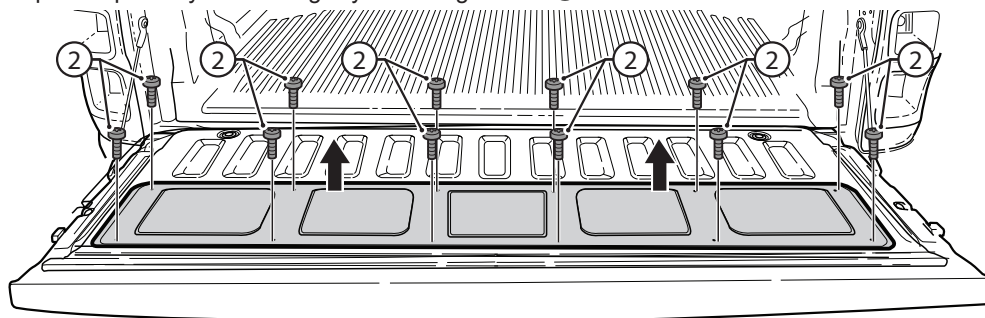
# 4

## PREPARE THE TAILGATE

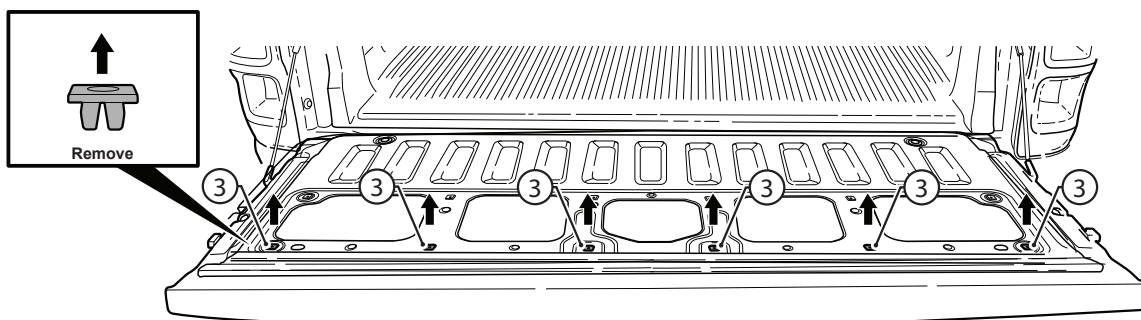
- Remove tailgate liner (if fitted) by unscrewing the factory screws ① and then peeling off the plastic retainer strip (if fitted).



- Remove the inspection panel by unscrewing any remaining screws ②.



- Remove all plastic inserts ③ from the top row of the inspection panel.

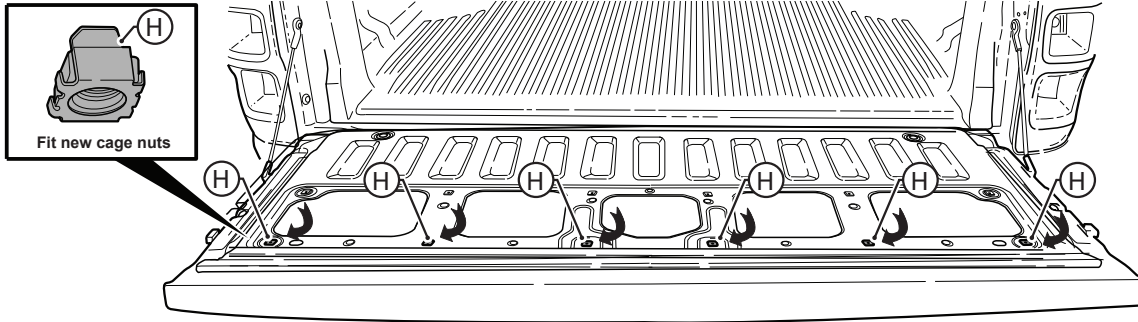


# 5

## FIT THE CAGE NUTS

- Replace the plastic inserts with the supplied Cage Nuts (H).

**Note:** Fit the cage nuts from the underside of the inspection panel. First engage one leg of the cage nut in the hole and then apply some force and push the other leg of the cage nut so that it fits through the hole.

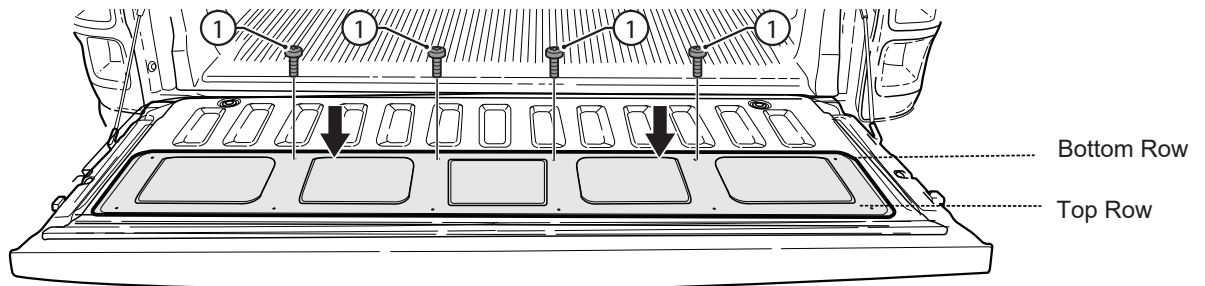


### For Vehicles with Ute Liners Fitted Only:

- Without refitting the screws yet, place the inspection panel first, followed by the Tailgate Rail (G), into position on the tailgate. Then put the tailgate liner over the top. Take note of all holes which will be covered over by the tailgate liner. Then set aside.

**Note:** It may help to mark these holes with a felt pen or pencil.

- For the holes you just marked:
  - Refit original factory screws to the bottom row of the tailgate, as required.
  - Fit M6 Bolts (I) to the Cage Nuts (H) to the top row of the tailgate, as required.



Important



Factory screws must only be refit to plastic inserts.  
M6 Bolts (I) must be fitted to Cage Nuts (H).

Important



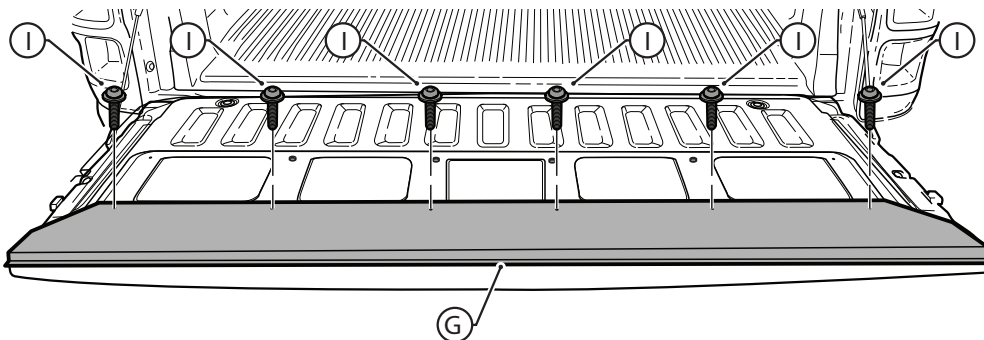
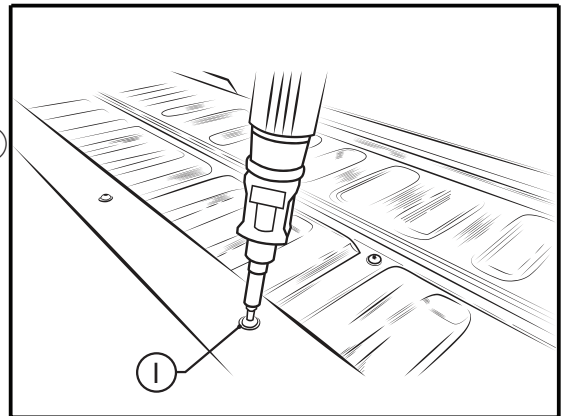
Use VERY low torque when refitting factory screws as there is a risk the thread inside the plastic inserts will strip.

For Vehicles without Ute Liner: Please continue to Step 6.

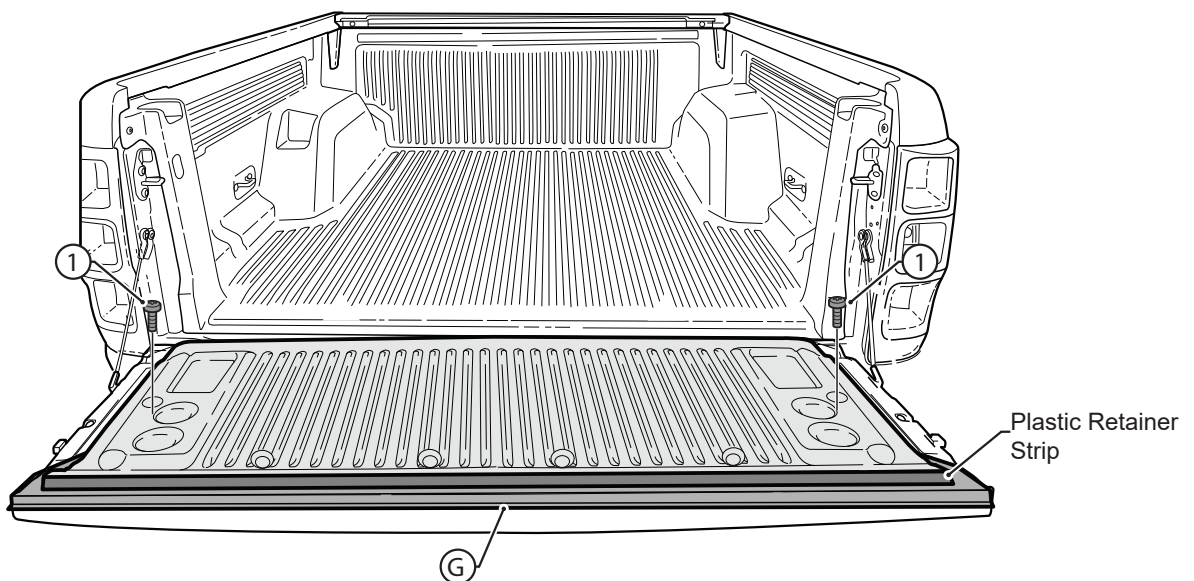
# 6

## ATTACH THE TAILGATE RAIL

- Fit the Tailgate Rail (G), then place the tailgate liner (if fitted) on top ensuring all holes are aligned.
- Place an M6 Bolt (I) through the tailgate liner (if fitted), Tailgate Rail (G), inspection panel and into each of the Cage Nuts (H) and tighten using the 4mm hex bit on the 6-in-1 Multi Tool provided.



- For vehicle's with tailgate liners, use the original screws (1) and secure the outside edges of the bottom half of the liner.
- Refit the Plastic Retainer Strip which was removed in Step 4 to the edge of the tailgate liner.






# 7


## FIT THE TONNEAU COVER

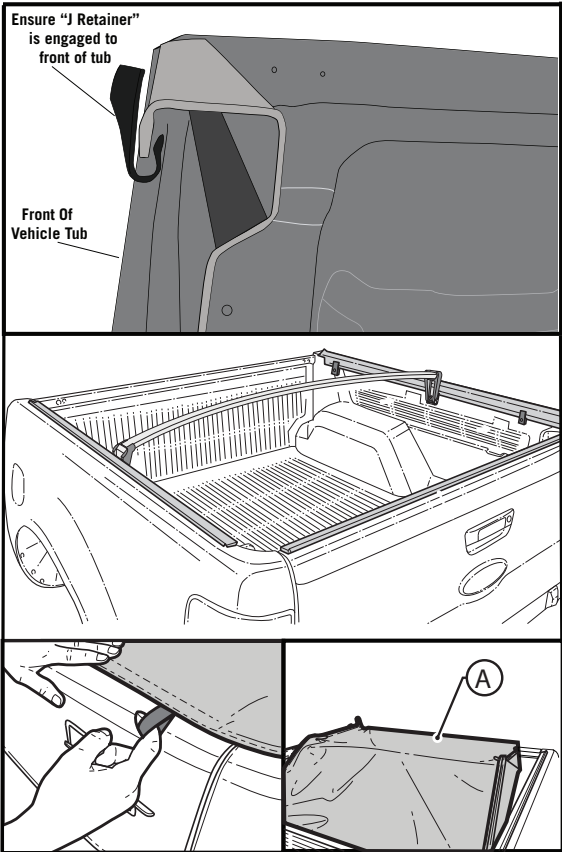
- Attach the plastic J Retainer on the front of the Tonneau Cover <sup>(A)</sup> to the front lip of the Ute tub located behind the cab window.
- Engage the back of the cover first, followed by the sides.

**Note:** Ensure the support bar is fitted underneath the Tonneau Cover to prevent water ingress and to keep the cover tight.

 Use the pull tabs to assist whenever you open or close your cover.

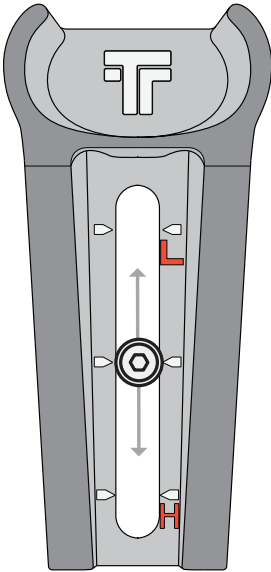
**Note:** Fitment will be tight straight out of the box, but this should loosen up a little after a week or so.


**Important**  Mercedes X-Class & Nissan NP300 have a rubber seal located at the front of the tub, which will impact correct fitment of the J Retainer, we recommend removing this seal for best result.



## ADJUSTING THE TENSION OF THE COVER

- To adjust the tension of the cover, you must adjust the height of the support bar. To do this, we have designed a patented adjustable bracket system which will allow you to freely adjust the height to any position within the range of the bracket.
- Simply loosen the bolt which goes through the Bar Bracket <sup>(C)</sup> and Clamp <sup>(E)</sup>, then move the bracket either up or down until the bolt is at your desired level. Re-tighten the bolt.
- Your Adjustable Bar Bracket has a large tension range.
  - “L” lowers the height and loosens the cover.
  - “H” increases the height and tightens the cover.



 “L” set here if cover is tight and hard to clip on.  
 “H” set here if cover is loose or if water is pooling on it.

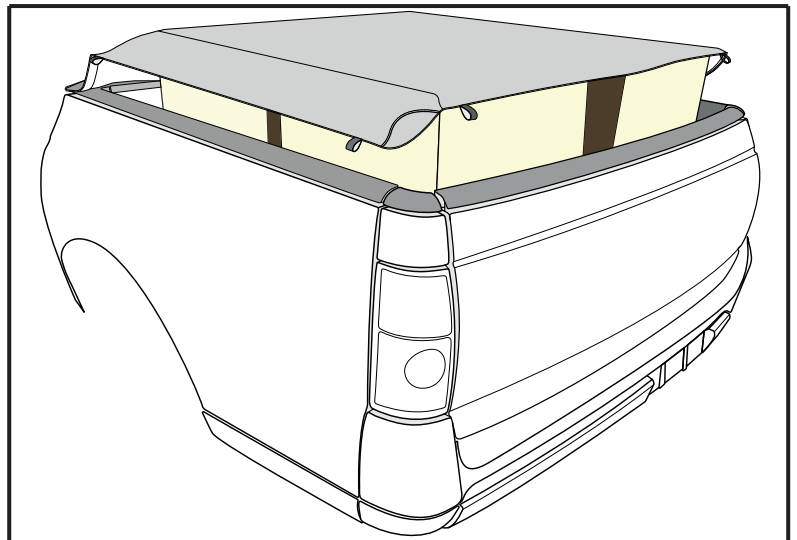
**CONGRATULATIONS!**  
**YOU HAVE SUCCESSFULLY INSTALLED YOUR**  
**CLIPON 2.0<sup>®</sup> TONNEAU COVER**



# HOW TO USE THE OVERSIZED LOAD SYSTEM

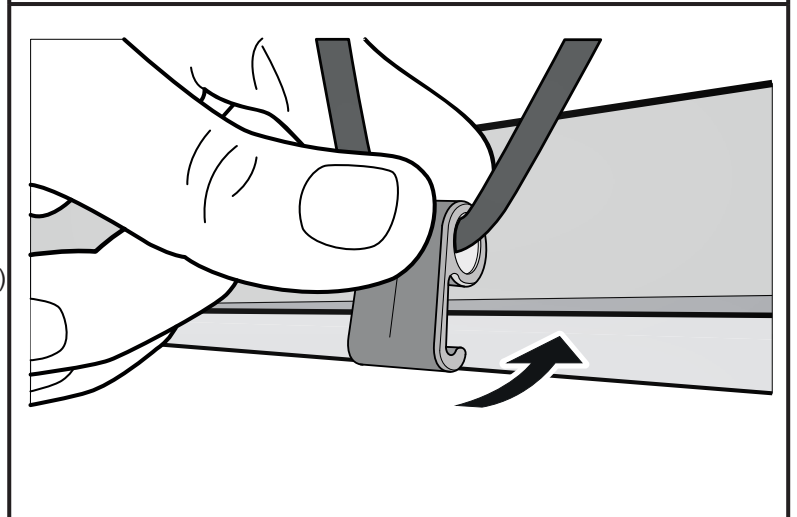
## STEP 1

- Place the load into the ute tub then drape the tonneau cover over it as shown.



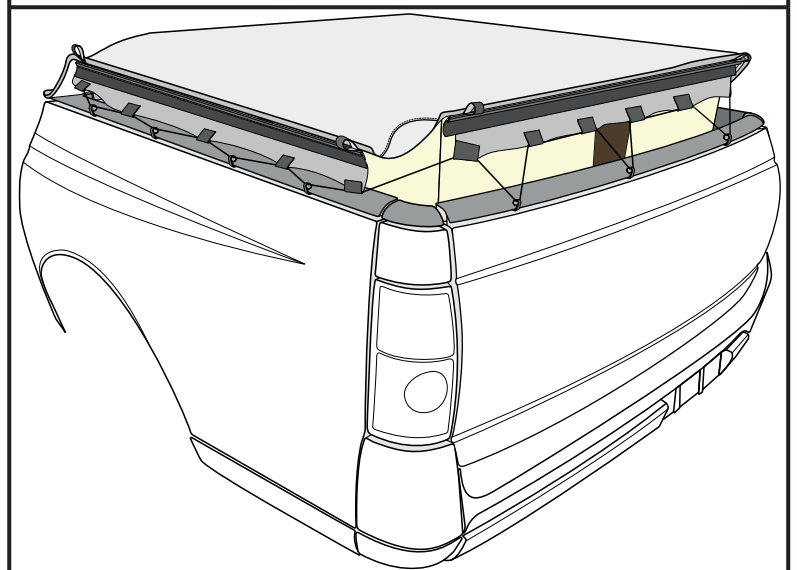
## STEP 2

- Engage the Rope Hooks from underneath the Tonneau Cover and clip each one onto either the Tub Rail (Holden Commodore/Crewman) or Aluminium Rail (all other vehicles).



## STEP 3

- Engage all Rope Hooks for a secure fit.



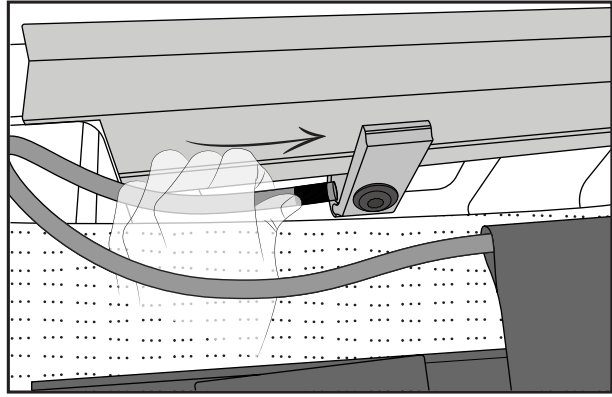
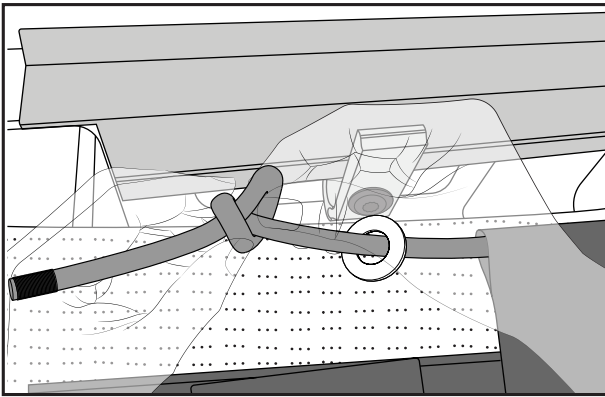
Important



The Tonneau Cover is not designed to be a load restraint. You **MUST** securely tie down your load first and then use the Oversized Load Cover System.

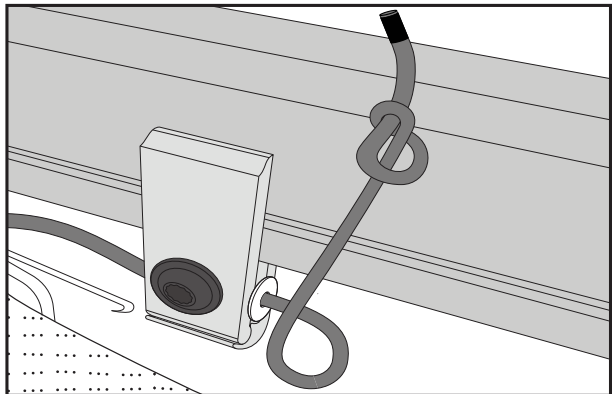
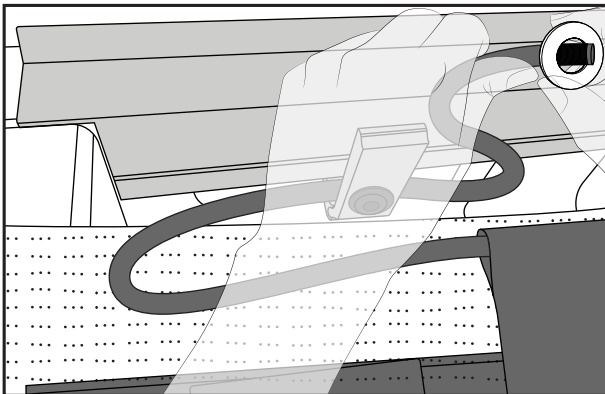
# TONNEAU COVER TETHERING SYSTEM

## STEP 1



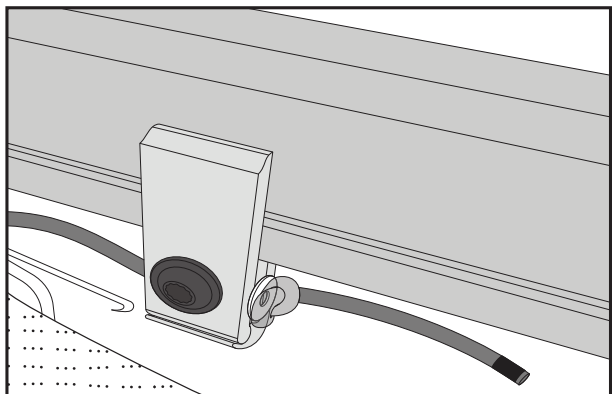
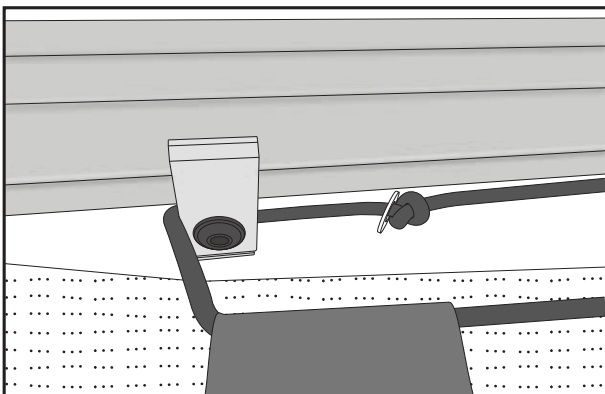
- Unclip the drivers side section of the cover from the aluminium rail.
- Untie the knot and remove the washer.
- Thread the rope through the clamp located near the front of the tub.

## STEP 2



- Rethread the washer and tie the end of the rope in a knot.

## STEP 3



- With the washer in place the rope can not slip past the clamp.
- Repeat these steps for the passenger side.



Important

This product must be installed exactly as specified in this installation manual. Failure to do so may result in improper fit which can cause structural damage to the product and vehicle as well as serious accidents due to partial or complete loss of the product and void of warranty.