

# TONNEAU FITTING INSTRUCTION

Isuzu D-max Dual Cab without Head Board

JUL 2016 – AUG 2020

**Part number: 10830**

## Package includes

<input type="checkbox"/> 1 X Tonneau Cover	<input type="checkbox"/> 2 x Bar Brackets
<input type="checkbox"/> 1 x Tonneau Support Bar	<input type="checkbox"/> 30 x Rivets
<input type="checkbox"/> 3 x Rope Track-510mm	<input type="checkbox"/> 1 x Lock Bracket
<input type="checkbox"/> 1 x Support Bar Sheath	<input type="checkbox"/> 16 x Rope Buttons
<input type="checkbox"/> 1 x Fitting Instructions	<input type="checkbox"/> 4 x Dowel
	<input type="checkbox"/> 16 x Anti Abrasive Discs

# 1. TONNEAU COVER FITTING

**NOTE** Read entire instructions prior to start.

## 1.1 BASIC TOOL REQUIRED

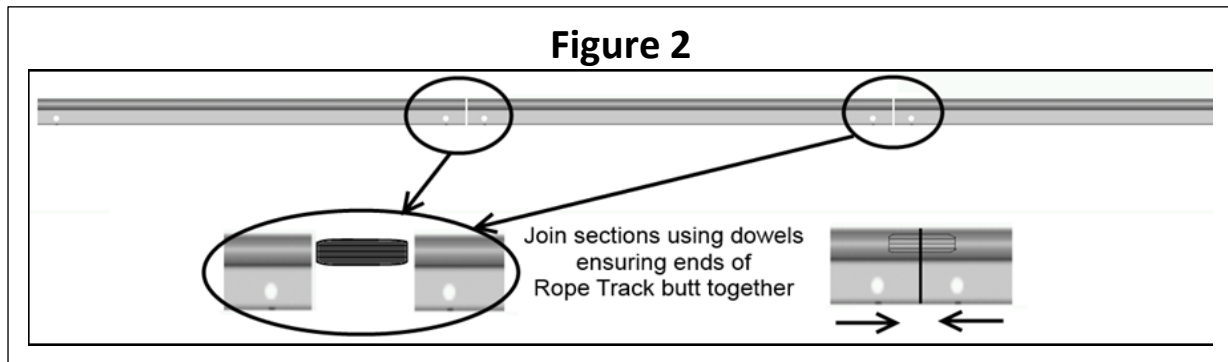
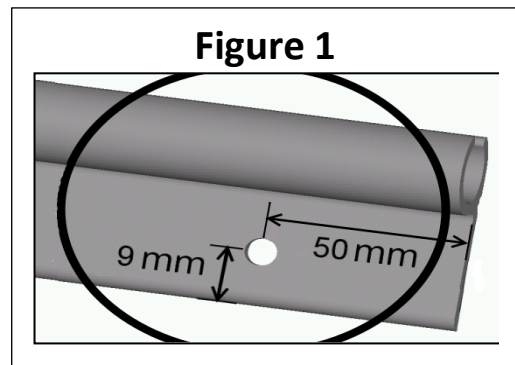
Drill, 4mm Drill Bit, Rivet Gun, Marking Pencil / Pen

## 1.2 TONNEAU COVER INSTALLATION PROCEDURE

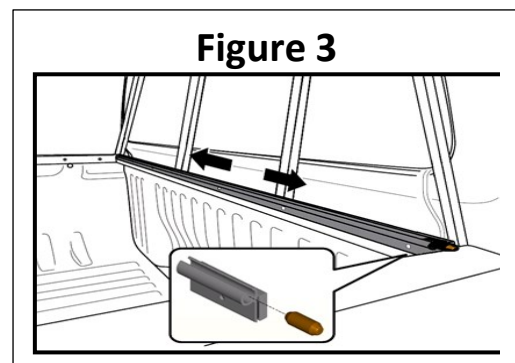
**NOTE** Remove swarf and apply a Rust Inhibitor to all drilled holes prior to riveting. Read entire instructions prior to start.

### Step 1. Fit The Ropetrack

- (a) Using a 4mm drill bit, drill a hole 50 mm in from each end and 9 mm up from the bottom of the 3 pieces of rope track as shown in **Figure 1**.
- (b) Join the 3 pieces of rope track together using the 2 pieces of wooden dowel as shown in **Figure 2**.



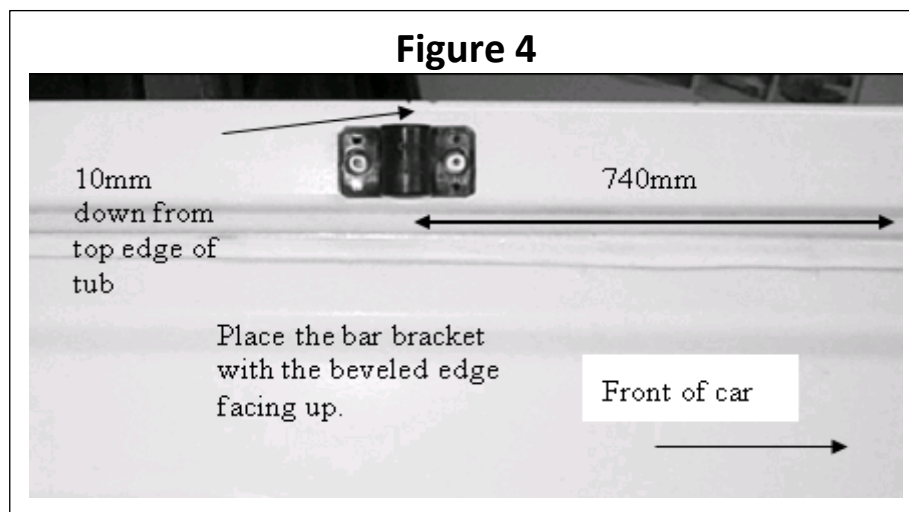
- (c) Place the remaining 2 pieces of dowel in the ends of the rope track. Ensure the flat side of the rope track is the surface positioned vertical against the tub face. **Figure 3**
- (d) Drill through the holes in the rope track into the front wall of the tub.
- (e) Apply a bead of clear silicone along the centre of the front edge of the rope track.
- (f) Rivet the aluminium rope track into position.



### Step 2. Fit The Support Bar Brackets

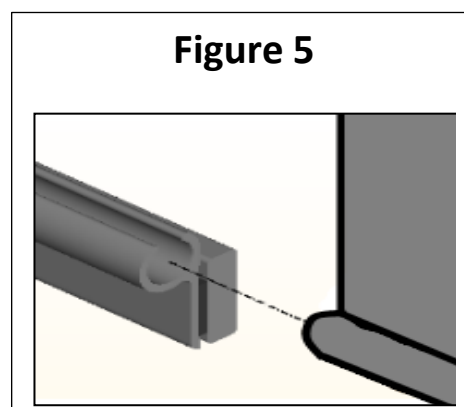
- (a) With the pencil mark the inside edge on each side of the tub at 740mm from the inside front face of tub towards the rear on each side.

- (b) Centrally locate the bar bracket over this position and align the top of the bar bracket 10mm down from the top edge of the tub and drill and rivet bracket into place. **See Figure 4.** Repeat for other side of tub. Fit tonneau support bar to bar brackets.



### Step 3. Fit The Buttons To Vehicle

- (a) Slide the front of the tonneau cover through the aluminium rope track section. **Figure 5**
- (b) **Ensure tonneau is centred.** Start with the **tailgate.**
- (c) Vertically line up each button to each bunji loop starting from the centre bunji loops.
- (d) The height for the buttons on the tailgate is **410mm UP** from the bottom edge of the tailgate. Work from the centre out, alternating from side to side. Attach each bunji to the button as it is fitted.



- (e) To fit the rope buttons to the sides:

Vertically line up each button to each bunji loop starting from the rear bunji loop, alternating from side to side working towards the front.

The height for the side rope buttons are all measured down from the **TOP INSIDE EDGE** of the tub.

For the rear button measure 160mm, 165mm for the second button from the rear, and 170mm for the next two buttons.

For the button closest to the front of the tub measure 175mm down and 25mm back from the front edge of the tub. Attach each bunji to the button as it is fitted.

**NOTE: All Side measurements are to be taken from the TOP INSIDE EDGE of the tub.**

## 2. TONNO LOCK

The Tonno Lock is now a standard feature included with all Tuff Tonneaus. The Tonno Lock is situated at the front of the tonneau cover, so as not to impede the accessibility of the Tuff Tonneau.

Fitting the lock is simple and only requires a small attachment on the inside edge of the tub behind the cab. Together with a padlock, it provides you with an extremely effective theft deterrent. The Tonno Lock is designed to suit

all utes and prevent thieves stealing your Tuff Tonneau, so you can continue to rely on the Tuff Tonneaus' name to give you what you want in a tonneau cover.



### 2.1 BASIC TOOL REQUIRED

Rivet gun, Drill, Torch, and Marking Pencil/Pen.

You will need to buy a small Padlock- make sure the padlock will go through the hole on the Tonno lock.

### 2.2 TONNO LOCK CONTENTS

- 2 X 4MM Aluminium rivets
- 1 x Tonno Lock bracket

### 2.3 FITTING TONNO LOCK

1. Attach the black lock bracket to the bracket on the tonneau with your padlock, and fit the tarp.
2. Getting under the tarp with a torch, place the lock bracket against the body and mark holes with a pen.
3. Remove tonneau and drill the marks with a 4 mm drill bit, place the lock bracket in position and rivet.

## 3. MULTI-FIT SUPPORT BAR

The Tuff Tonneau Multi - Fit Support Bar is designed to fit almost all Utes on the Market, from Subaru Brumbys to Cab Chassis aluminium trays.



### 3.1 BASIC TOOL REQUIRED

Drill, 4mm drill bit

## 3.2 MULTI-FIT SUPPORT BAR CONTENTS

- 1 x hollow bar centrepiece
- 2 x grub screws
- 2 x solid bar end piece
- 1 x Tonneau bar sheath

## 3.3 FITTING MULTI-FIT BAR

1. Insert solid bar pieces into either end of hollow tube. Adjust bar so it fits between bar bracket holders with the holes facing to the ground (so the grub screws don't rub against the tonneau), as shown above and then with a white pencil make a mark through the small holes of the hollow bar onto the solid ends. This is where you will drill a hole to the depth of about 1-2mm (do not go any further)
2. Join the pieces back together and screw grub screws through the hollow bar into the holes that you drilled. **Make sure you do not over tighten the grub screws**. Then place the tonneau sheath over the bar to stop the bar wearing against the tonneau. Refit the bar. You may kink the bar in the middle to give it some extra height to assist with water runoff.

**Warning if you do not fit the tonneau sheath over the bar, the tonneau cover will quickly wear through which is not covered by warranty.**

## 4. WARRANTY AND FEEDBACK

**Please register your warranty details online at:**

**QR Code:**



**Website Link:**

**<http://www.tto.com.au/en-au/warranty.html>**

**Please complete our 2 minute feedback section as we strive to constantly improve for our customers.**

**Your Tuff Tonneau is now ready for work.**