

TONNEAU FITTING INSTRUCTION

Toyota Hilux Dual Cab SR5 A Deck

October 2015 to Current

Part number: 10745

Package includes

1 X Tonneau Cover

2 x Bar Brackets

1 x Tonneau Support Bar

24 x Rivets

1 x Support Bar Sheath

1 x Lock Bracket

1 x Fitting Instructions

16 x Rope Buttons

16 x Anti-Abrasive Discs

1. TONNEAU COVER FITTING

NOTE Read entire instructions prior to start.

1.1 BASIC TOOL REQUIRED

Drill, 4.5mm Drill Bit, Rivet Gun, Marking Pencil / Pen

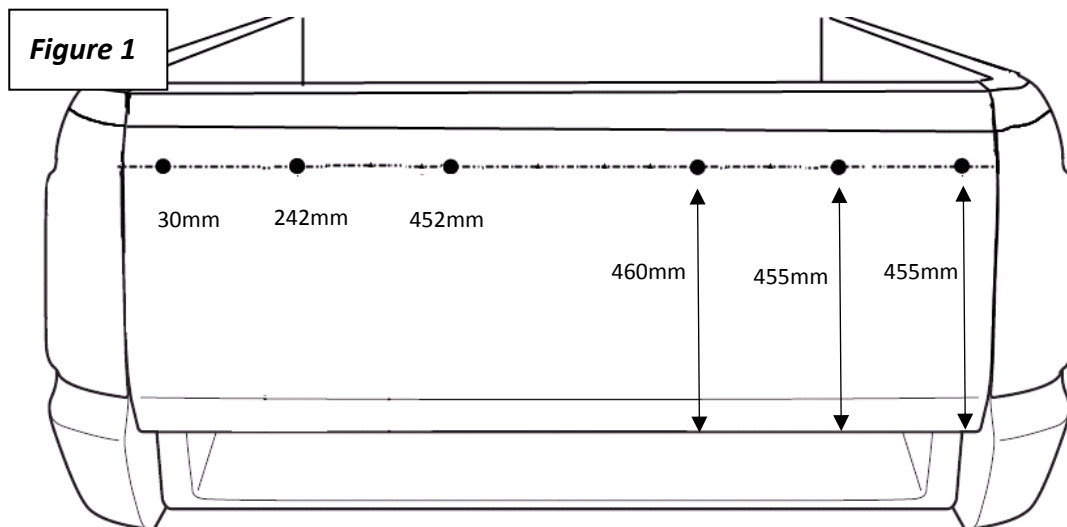
1.2 TONNEAU COVER INSTALLATION PROCEDURE

To fit bar brackets measure 810mm back from the inside front edge at the top of the tub and place them as shown in (5mm down from top edge of tub). Drill and rivet using two large rivets for each Bar Bracket. Install support bar according to supplied instructions.

Fit Round Body Hooks (Buttons) to Tailgate

- With a non-permanent marker mark the positions of the rear buttons.
- The first two are 30mm in from either side of the tailgate and 455mm from the bottom of the tailgate.
- The next two are 242mm in from the sides of the tailgate and 455mm from the bottom of the tailgate.
- The last two are 452mm in from the sides of the tailgate and 460mm from the bottom of the tailgate.
- Using a 4.5mm drill bit drill a hole in each of these positions, then pop rivet a button into place.

See Figure 1



- **Fit Round Body Hooks (Buttons) to the Sides**

Firstly attach the front of the Tonneau to the front of the ute tub placing the Plastic Retainer (Fitted on the Tonneau Cover) on to the Metal Lip on the Body, between the cabin and the Ute Body. (Behind rear windscreen).

Centre the cover, place it over the support bar and attach the rear bunji loops to the buttons on the tailgate.

- On each side with a non-permanent marker mark 130mm down from the inside edge of the tub near the rear bunji.
- Also on each side, between the sports bars, mark 135mm down from the inside edge of the tub.
- With a straight edge or string line draw a straight line between these two positions. Extend the line to the front of the tub.
- Vertically line up each button (except the front) to each bunji loop starting from the rear bunji loop, alternating from side to side working towards the front. Attach each bunji to the button as it is fitted.
- The front button on each side is placed on the line 140mm from the front of the tub.
- To Fit Anti-Abrasive Discs: Firstly clean the area behind each bunji head with a clean rag and methylated sprits. Then attach the anti-abrasive discs centrally behind each bunji head.



2. TONNO LOCK

The Tonno Lock is now a standard feature included with all Tuff Tonneaus. The Tonno Lock is situated at the front of the tonneau cover, so as not to impede the accessibility of the Tuff Tonneau.

Fitting the lock is simple and only requires a small attachment on the inside edge of the tub behind the cab. Together with a padlock, it provides you with an extremely effective theft deterrent. The Tonno Lock is designed to suit all utes and prevent thieves stealing your Tuff Tonneau, so you can continue to rely on the Tuff Tonneaus' name to give you what you want in a tonneau cover.



2.1 BASIC TOOL REQUIRED

Rivet gun, Drill, Torch, and Marking Pencil/Pen.

You will need to buy a small Padlock- make sure the padlock will go through the hole on the Tonno lock.

2.2 TONNO LOCK CONTENTS

- 2 X 4MM Aluminium rivets
- 1 x Tonno Lock bracket

2.3 FITTING TONNO LOCK

1. Attach the black lock bracket to the bracket on the tonneau with your padlock, and fit the tarp.
2. Getting under the tarp with a torch, place the lock bracket against the body and mark holes with a pen.
3. Remove tonneau and drill the marks with a 4 mm drill bit, place the lock bracket in position and rivet.

3. MULTI-FIT SUPPORT BAR

The Tuff Tonneau Multi - Fit Support Bar is designed to fit almost all Utes on the Market, from Suburu Brumbys to Cab Chassis aluminium trays.



3.1 BASIC TOOL REQUIRED

Drill, 4mm drill bit

3.2 MULTI-FIT SUPPORT BAR CONTENTS

- 1 x hollow bar centrepiece
- 2 x grub screws
- 2 x solid bar end piece
- 1 x Tonneau bar sheath

3.3 FITTING MULTI-FIT BAR

1. Insert solid bar pieces into either end of hollow tube. Adjust bar so it fits between bar bracket holders with the holes facing to the ground (so the grub screws don't rub against the tonneau), as shown above and then with a white pencil make a mark through the small holes of the hollow bar onto the solid ends. This is where you will drill a hole to the depth of about 1-2mm (do not go any further)
2. Join the pieces back together and screw grub screws through the hollow bar into the holes that you drilled. **Make sure you do not over tighten the grub screws**. Then place the tonneau sheath over the bar to stop the bar wearing against the tonneau. Refit the bar. You may kink the bar in the middle to give it some extra height to assist with water runoff.

Warning if you do not fit the tonneau sheath over the bar, the tonneau cover will quickly wear through which is not covered by warranty.

4. WARRANTY AND FEEDBACK

Please register your warranty details online at:

QR Code:



Website Link:

<http://www.tto.com.au/en-au/warranty.html>

Please complete our 2 minute feedback section as we strive to constantly improve for our customers.